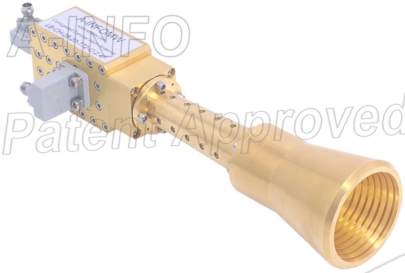


For reference only. See data sheet for the detailed specifications.

Technical Specification



Frequency Range(GHz)	24.0 – 54.0	
Waveguide	WR28	
Gain(dBi)	20 Typ.	
Polarization	Dual Linear	
3dB Beamwidth(deg)	E Plane:	15 Typ.
	H Plane:	16 Typ.
Cross Pol. Isolation(dB)	35 Typ.	
Port to Port Isolation(dB)	40 Typ.; 30 Min.	
VSWR	A Type:	1.8:1 Typ.
	C Type:	2.0:1 Typ.
Output	A Type:	FBP320(UBR320) (Modified with 4xM3 D3)
	C Type:	2.4mm-Female or 1.85mm-Female
Material	Al	
FINISH	Gold Plated, Gray Paint	
Size(mm)	A Type:	49.5 x 49.5 x 206.4
	C Type:	63.1 x 49.5 x 230.5
Net Weight(Kg)	A Type:	0.36 Around
	C Type:	0.45 Around

PATENT ID (US)

US 11031692

PATENT ID (China)

**ZL202020594309.9, ZL202020593278.5,
ZL202220615760.3, ZL202130553080.4**

AINFO Inc.

China(Beijing):
China(Chengdu):
USA :

Tel: (+86) 10-6266-7326,
Tel: (+86) 28-8519-2786,
Tel: (+1) 949-639-9688,

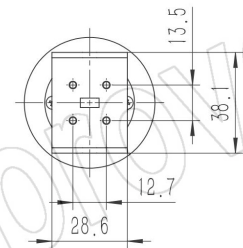
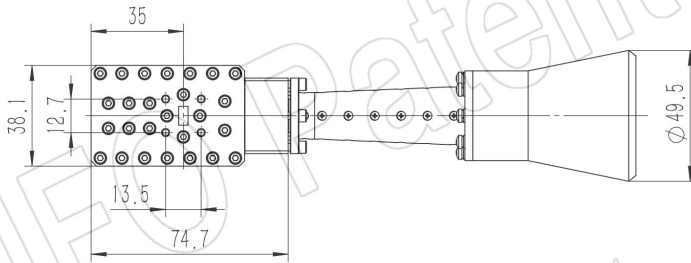
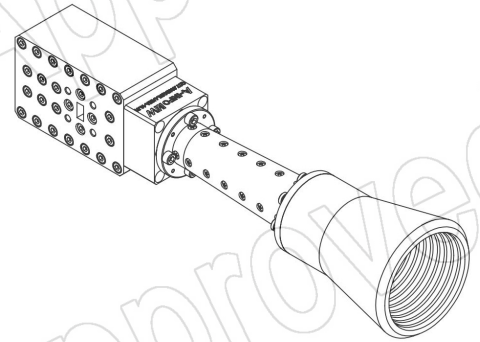
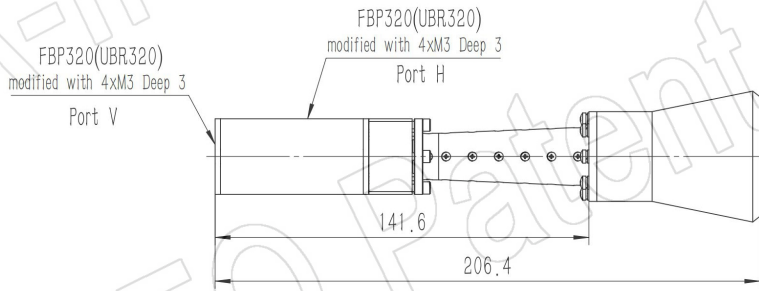
(+86) 10-6266-7327
(+86) 28-8519-3044
(+1) 949-639-9608

Fax: (+86) 10-6266-7379
Fax: (+86) 28-8519-3068
Fax: (+1) 949-639-9670

Website: www.ainfoinc.com
Email: sales@ainfoinc.com

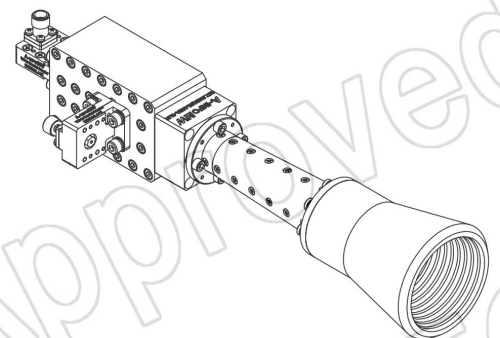
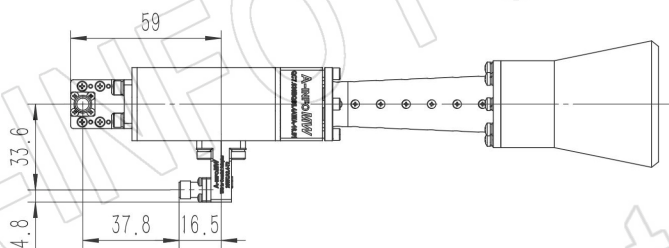
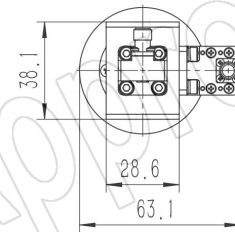
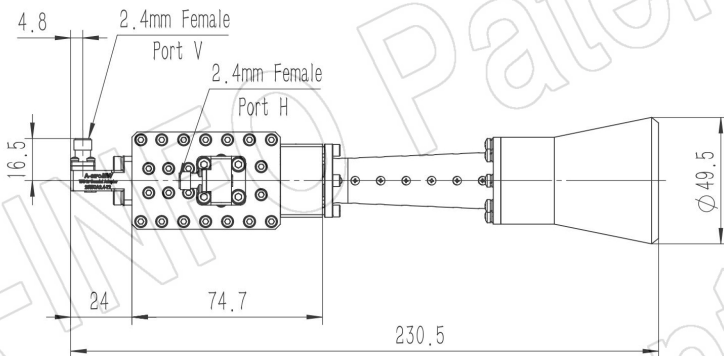
Outline Drawing (Size: mm)

FBP320 Output (P/N: LB-CH-28-20-T72-A)

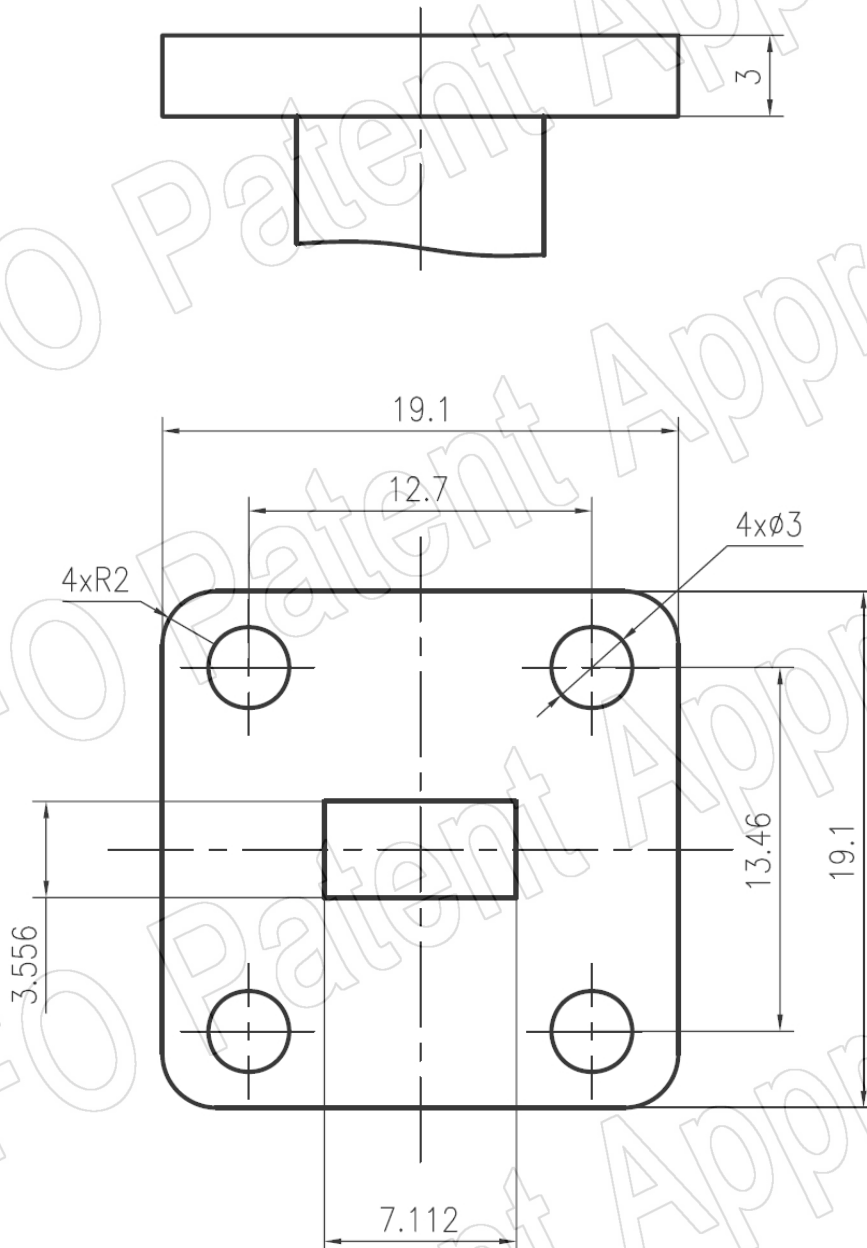


2.4mm-Female Output (P/N: LB-CH-28-20-T72-C-2.4F)

For 1.85mm-Female output outline drawing, please contact A-INFO.



Flange Drawing (Size: mm)



FBP320

AINFO Inc.

China(Beijing):
China(Chengdu):
USA :

Tel: (+86) 10-6266-7326,
Tel: (+86) 28-8519-2786,
Tel: (+1) 949-639-9688,

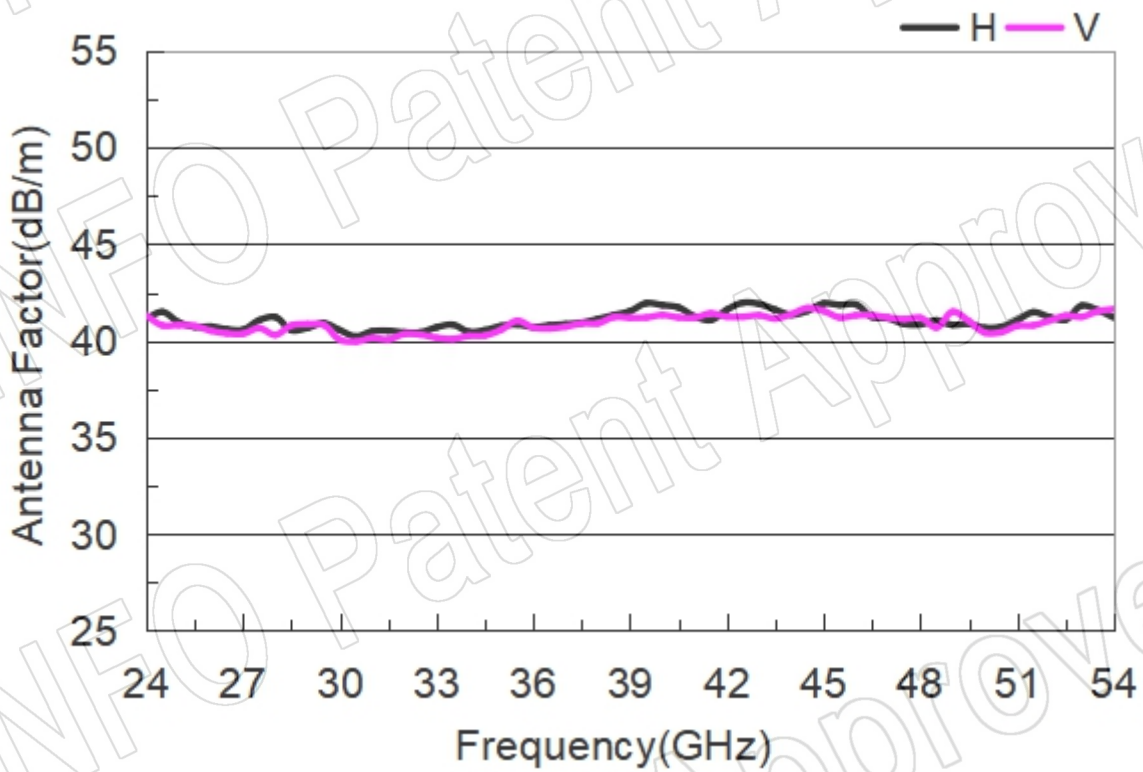
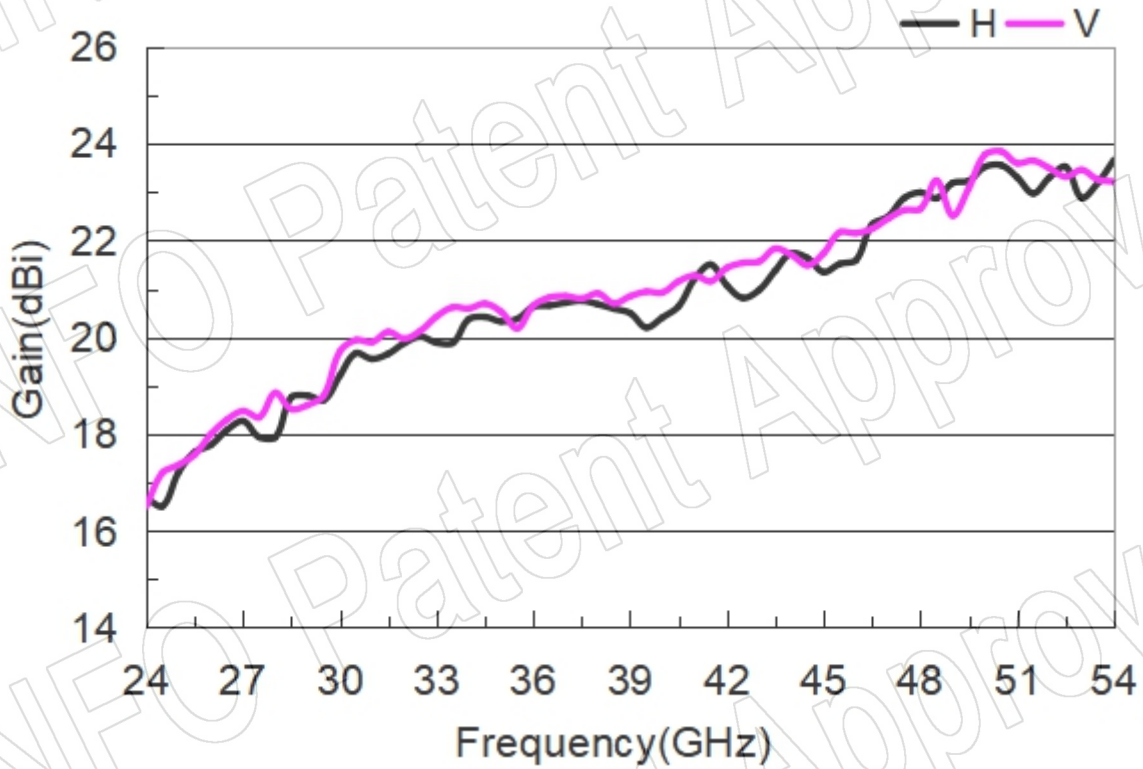
(+86) 10-6266-7327
(+86) 28-8519-3044
(+1) 949-639-9608

Fax: (+86) 10-6266-7379
Fax: (+86) 28-8519-3068
Fax: (+1) 949-639-9670

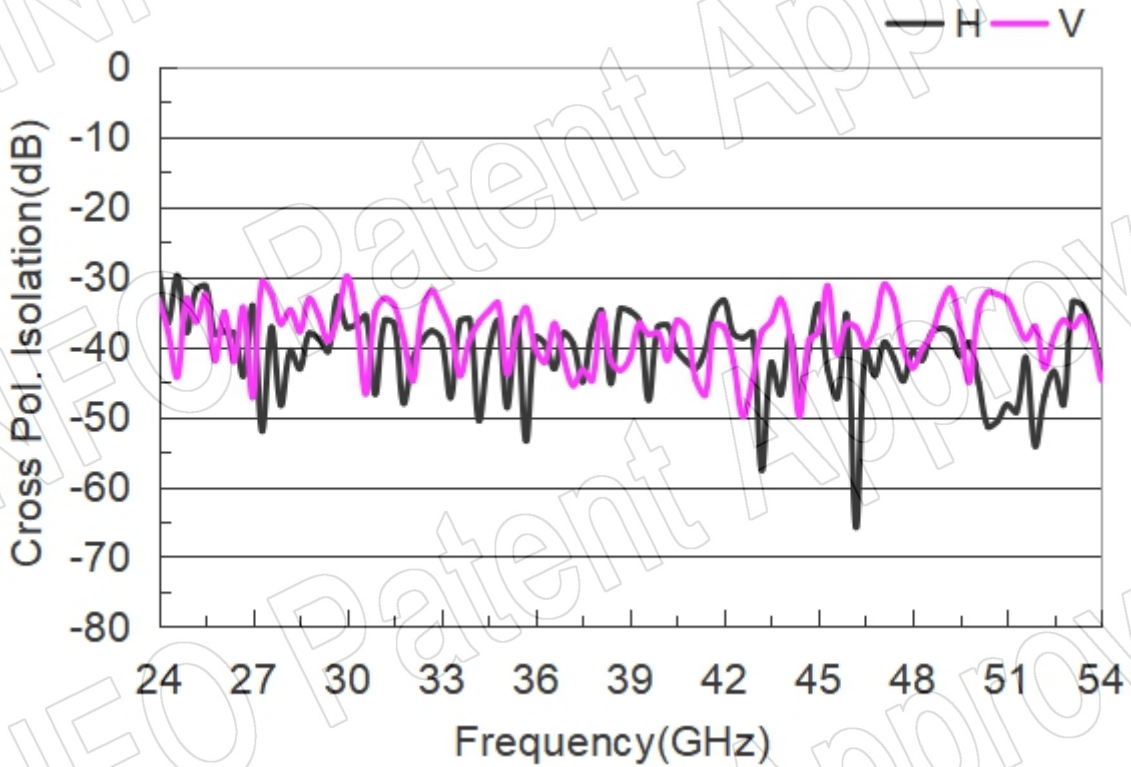
Website: www.ainfoinc.com
Email: sales@ainfoinc.com

Test Results

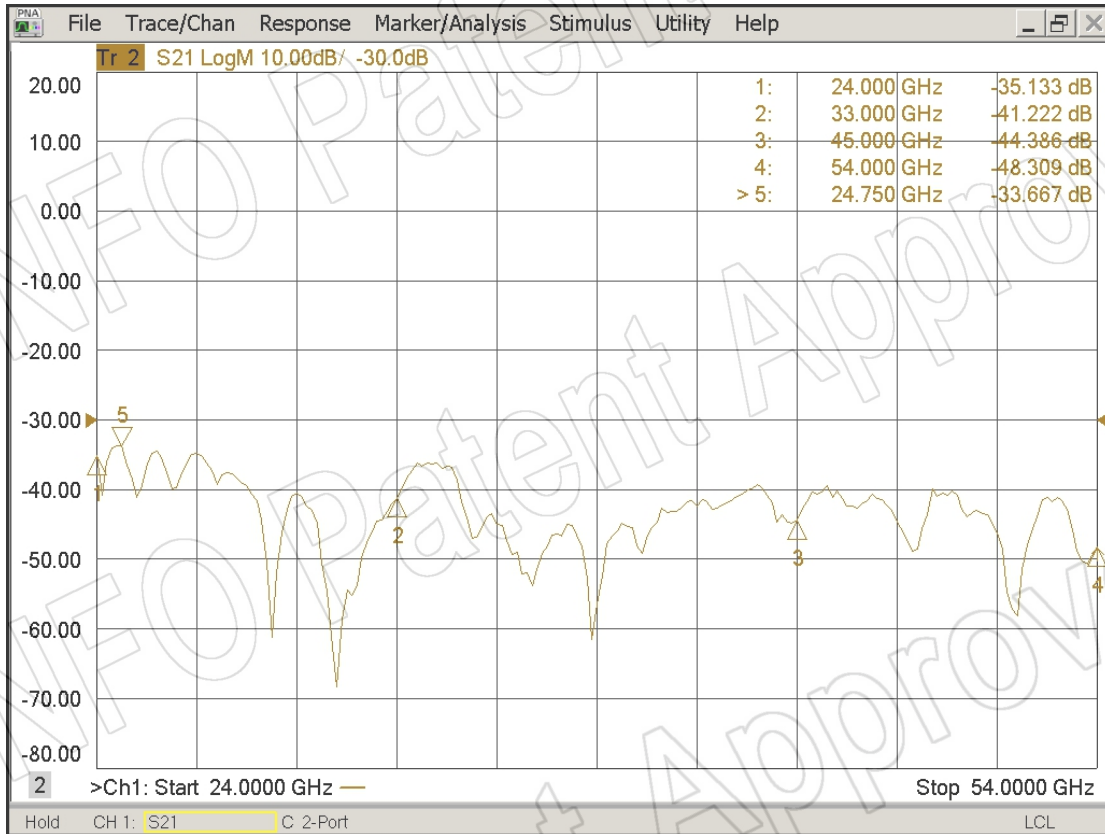
1. Gain & Antenna Factor



2. Cross Polarization Isolation

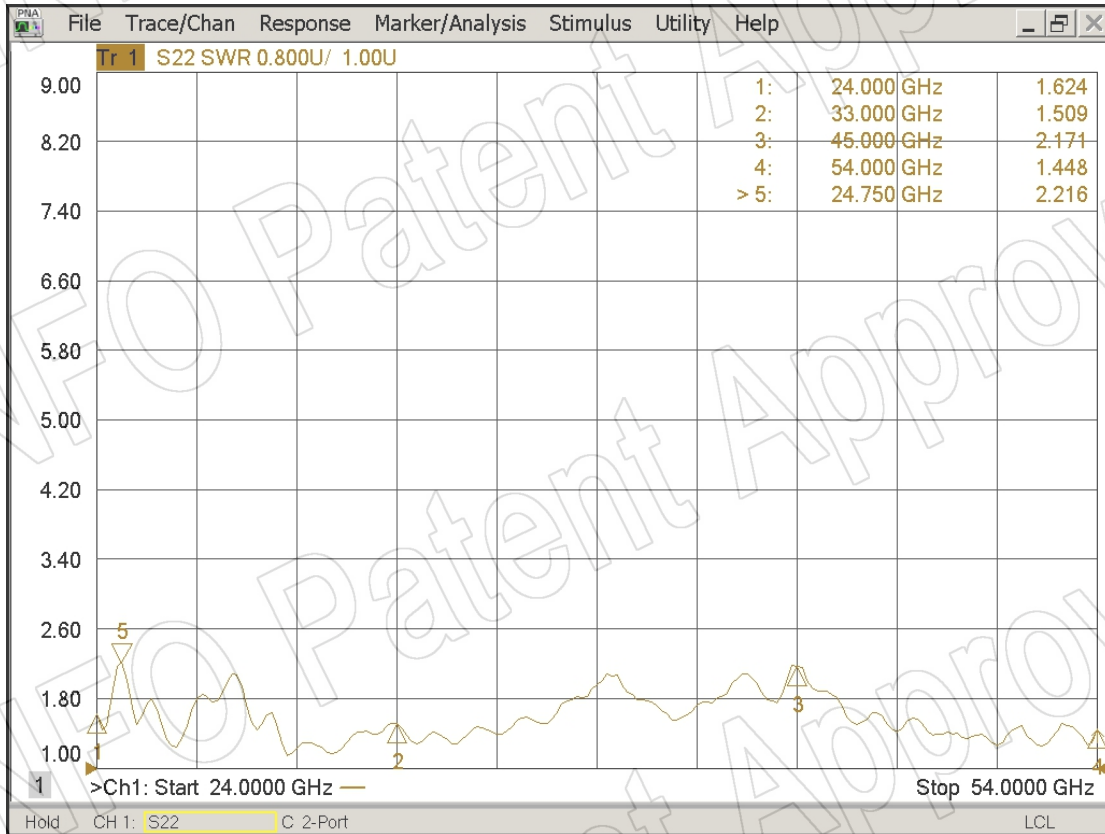


3. Port to Port Isolation

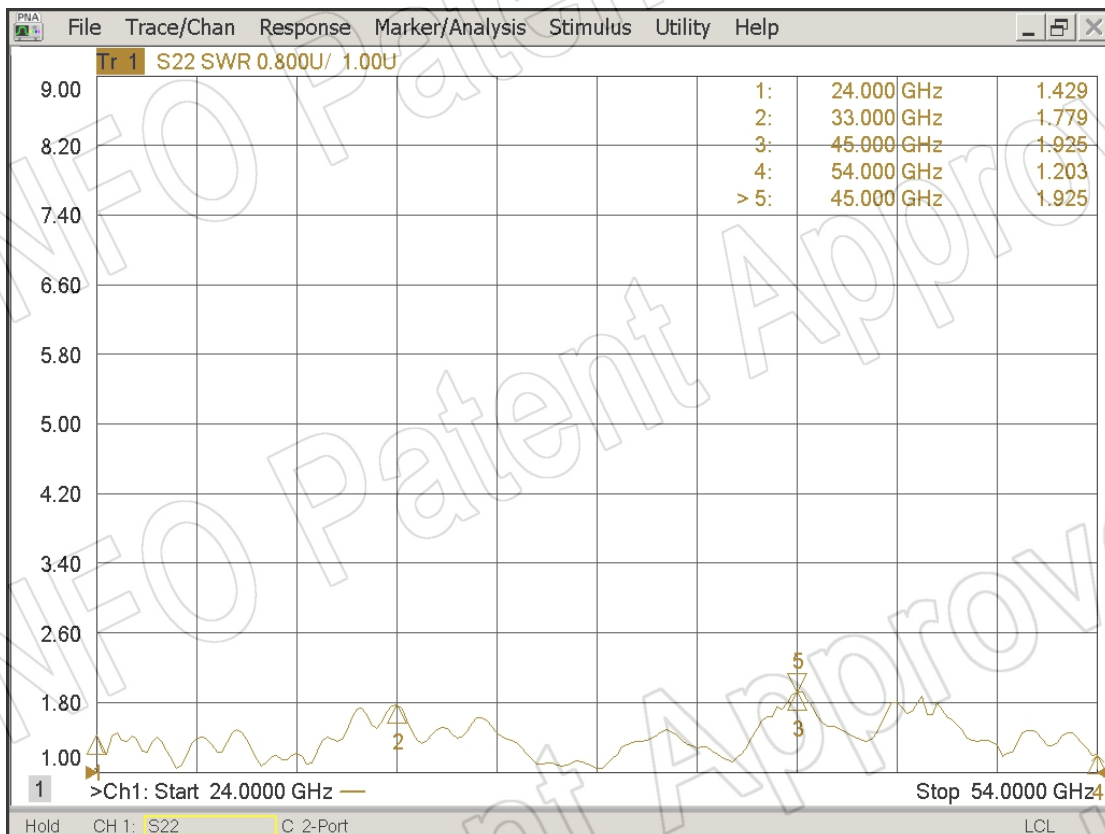


4. VSWR_A Type

Port-H

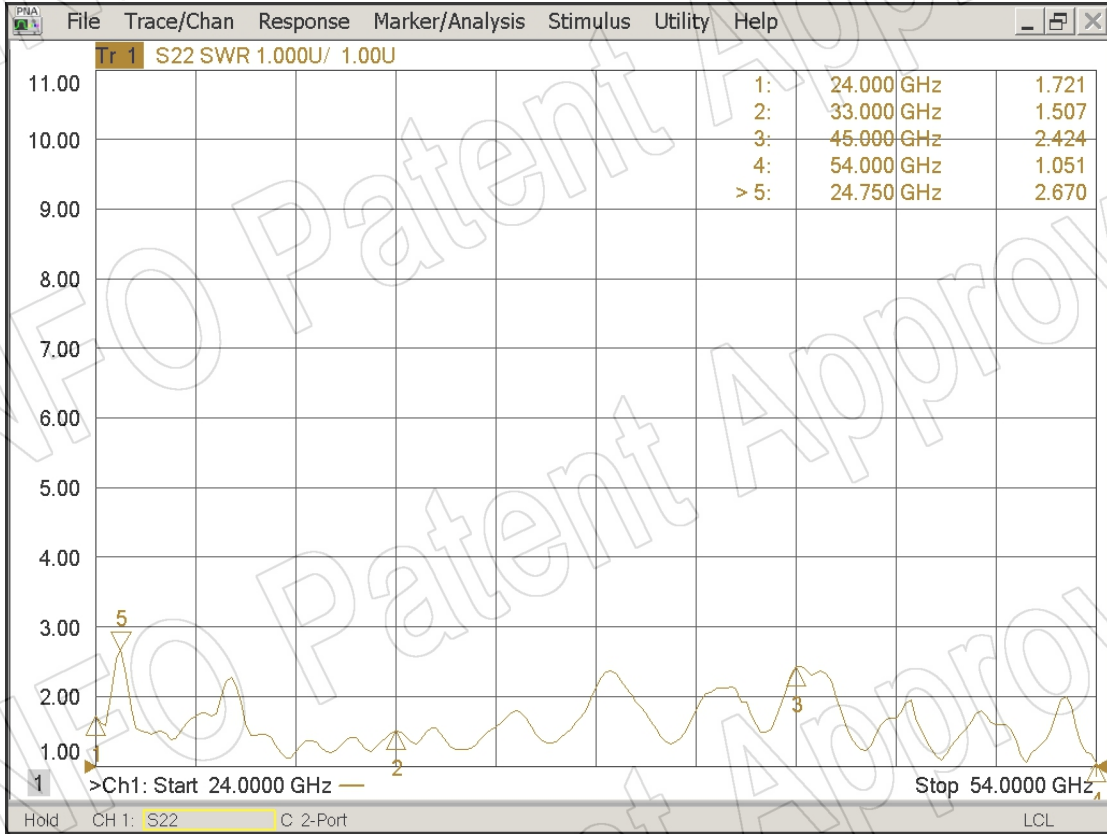


Port-V

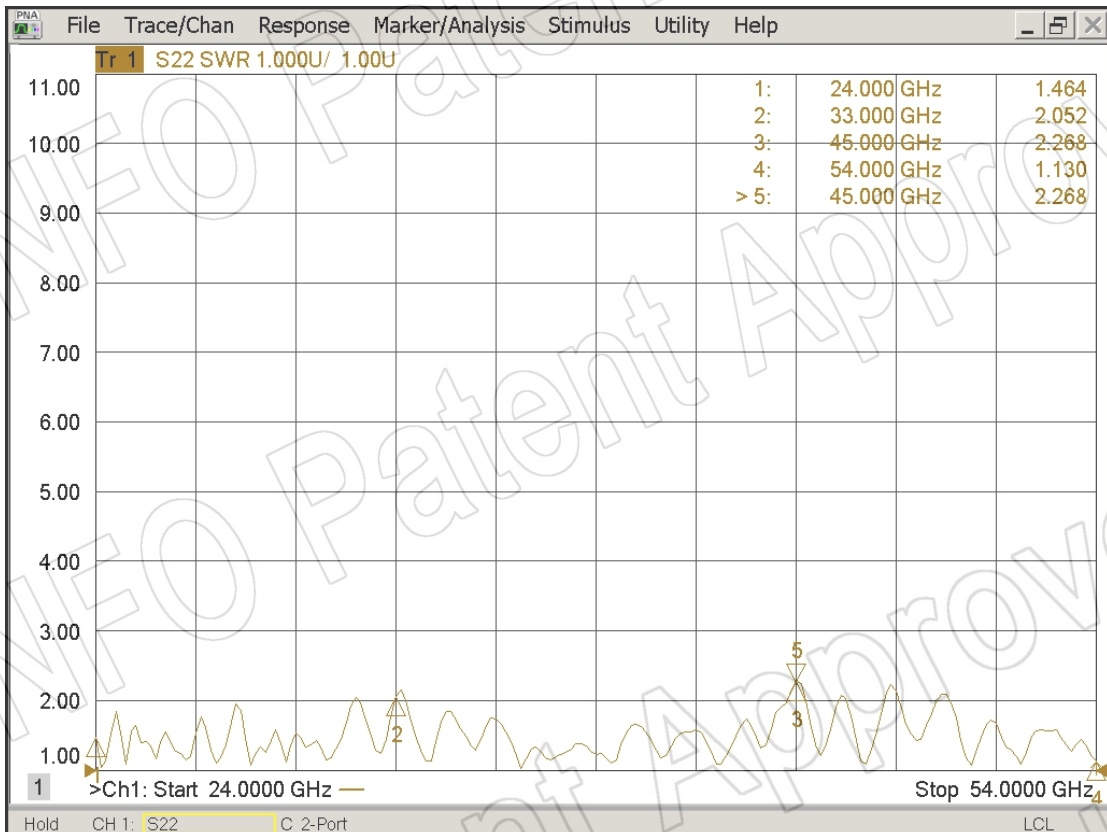


VSWR_C Type

Port-H



Port-V



5. Pattern

